

INTRODUCING OUR BRAND NEW NO CORE RETURN ALTERNATIVE TO REMAN AIR BRAKE COMPRESSORS

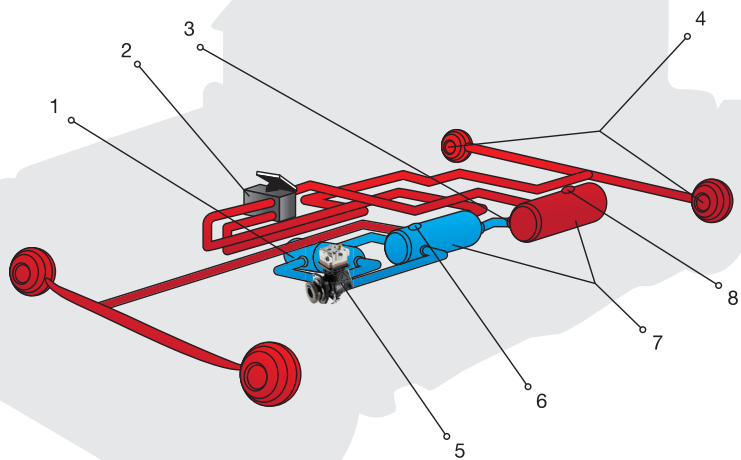


Every air brake compressor is
100% performance tested to DOT standards.



- **Brand new air brake compressors are 10-25% less than the competitors reman**
- **Precise testing**
- **Superior quality**

If you've suffered from a slobbery compressor, you'll know the mess and contamination over time that the oil can make to the truck's air system. In cold weather, the sludge thickens and causes blockages in valves and lines. Our compressors feature Less oil passage & blowby resulting in longer brake life.



- | | |
|------------------|---------------------------------|
| 1 Air Dryer | 5 Air Compressor |
| 2 Foot Valve | 6 Safety Valve |
| 3 Check Valve | 7 Air Reservoir Tanks |
| 4 Brake Chambers | 8 Low-pressure Indicator Switch |

Performance and Durability Count



With global facilities in USA , China, Germany, Ireland, and Argentina we are positioned to serve your needs with a team of engineering experts and advanced testing capabilities.